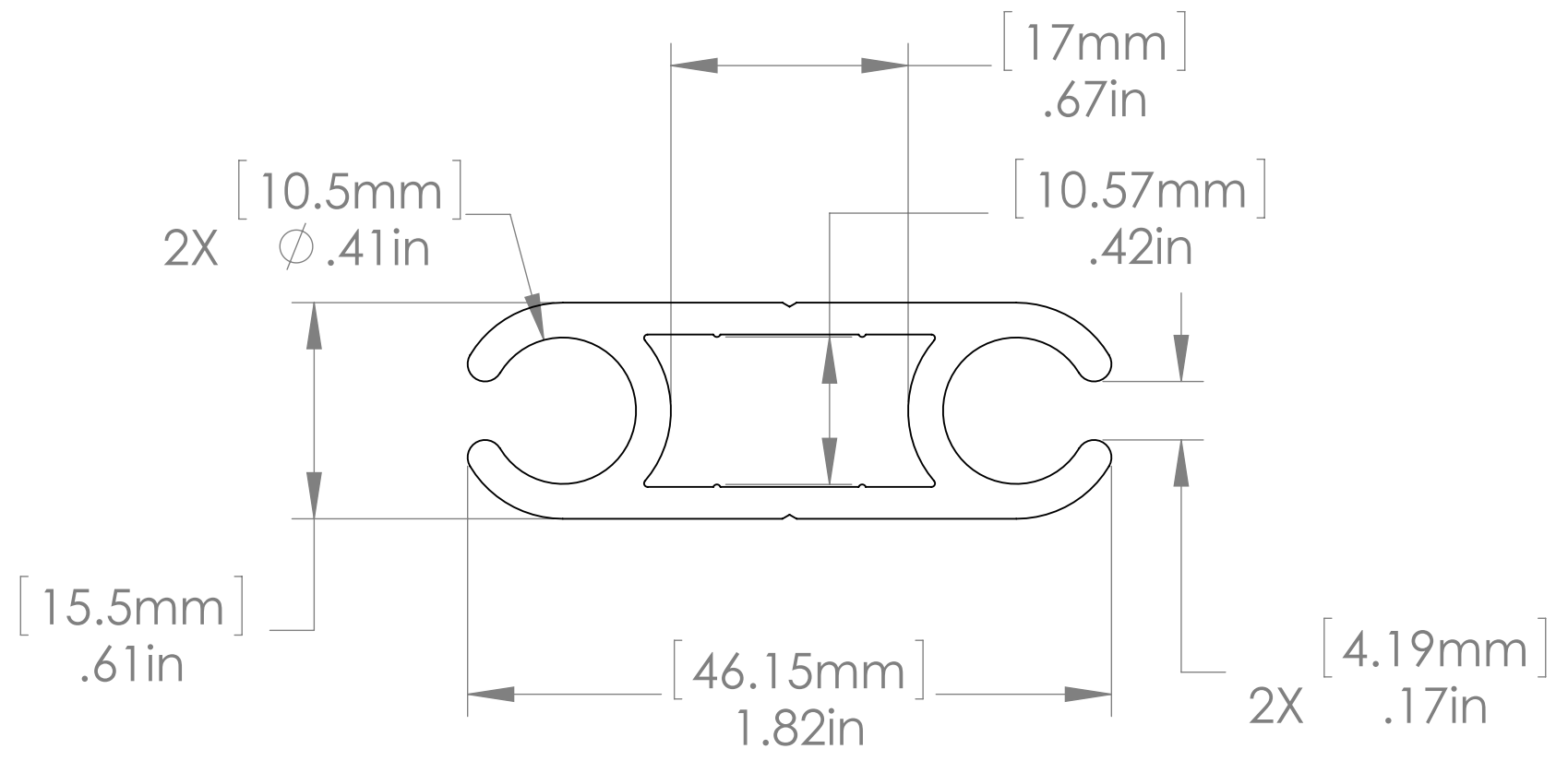
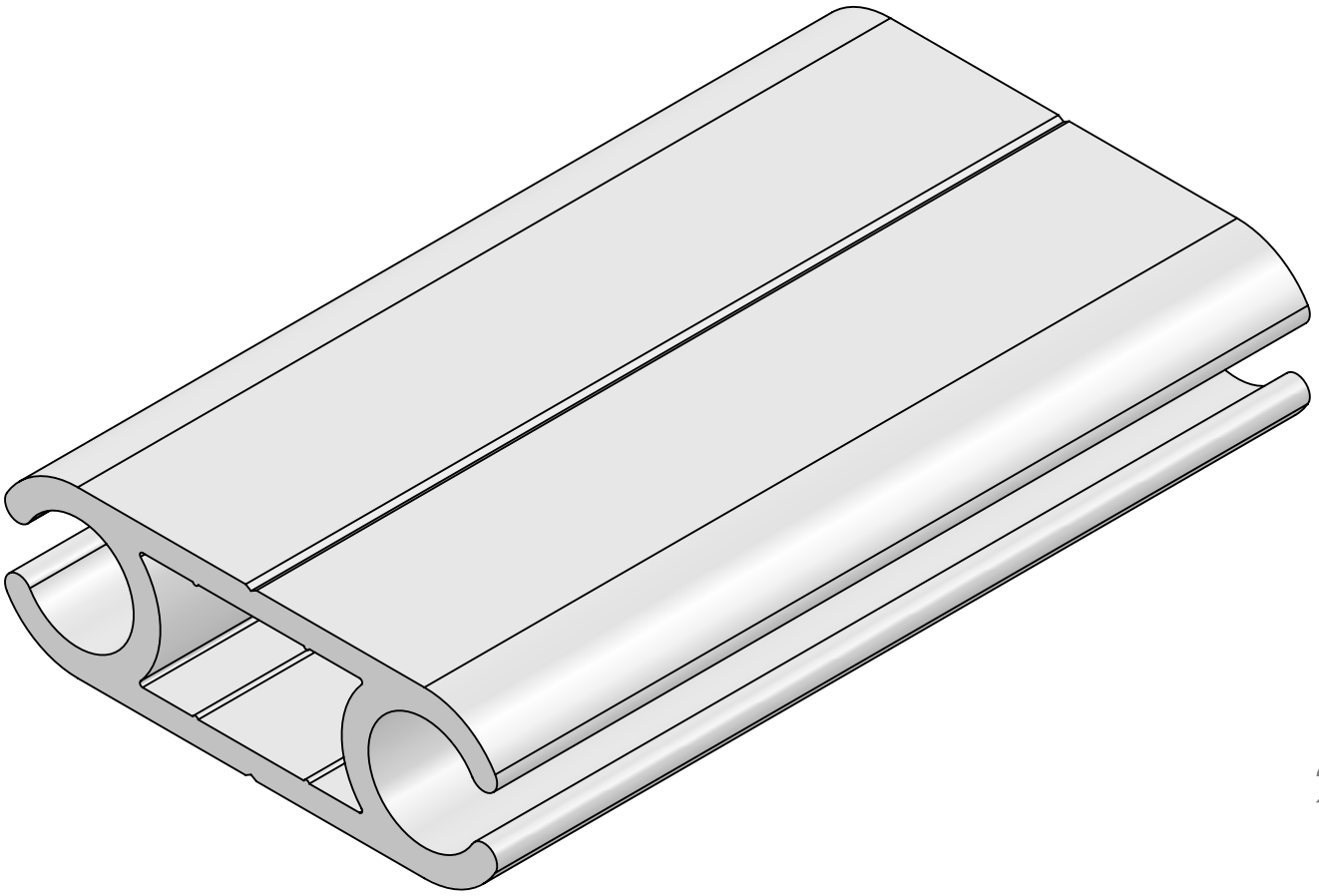


8 7 6 5 4 3 2 1

D
C
B
A



PROPRIETARY AND CONFIDENTIAL
 THE INFORMATION CONTAINED IN THIS
 DRAWING IS THE SOLE PROPERTY OF
 KEDER SOLUTIONS, LLC ANY
 REPRODUCTION IN PART OR AS A WHOLE
 WITHOUT THE WRITTEN PERMISSION OF
 KEDER SOLUTIONS, LLC IS PROHIBITED.

UNLESS OTHERWISE SPECIFIED:
 DIMENSIONS ARE IN INCHES
 TOLERANCES:
 FRACTIONAL \pm 1/32
 ANGULAR: \pm 1°
 TWO PLACE DECIMAL \pm .01
 THREE PLACE DECIMAL \pm .005

INTERPRET GEOMETRIC
 TOLERANCING PER:
 MATERIAL
 PVC - WHITE
 FINISH
 NONE

DO NOT SCALE DRAWING

	NAME	DATE
DRAWN	JAW	4/26/2012
CHECKED	JAW	4/26/2012

7265 S. 1ST STREET
 OAK CREEK, WI 53154
 PH: 888-727-7050
 F: 888-727-7060



TITLE: KEDER RAIL, 9.0mm DOUBLE PVC		
SIZE B	DWG. NO. 90-PVC-DUB	REV A
SCALE: 2:1	WEIGHT:	SHEET 1 OF 1

8 7 6 5 4 3 2 1