

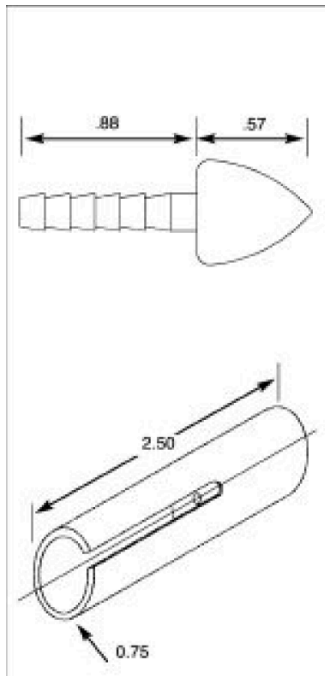


KEDER BULLET

DESCRIPTION

Keder Bullets are inserted to the end of the Keder to protect the edge when sliding in and out of the rail/channel/frame. This helps to extend the life of your Keder. An installation kit for 11mm and 13mm Keder can be purchased separately, which includes a guide and drill bit. Industries commonly used: Awning, Tenting & Structure, Marine.

- Size(s): 8.5mm, 11mm, 13mm
- Unit: Sold per piece
- Color/Material: Brass



Sales@KederSolutions.com
888.727.7050 | Fax 888.727.7060
www.KederSolutions.com



Warning:

California Residents
Cancer and Reproductive Harm.
www.P65Warnings.ca.gov