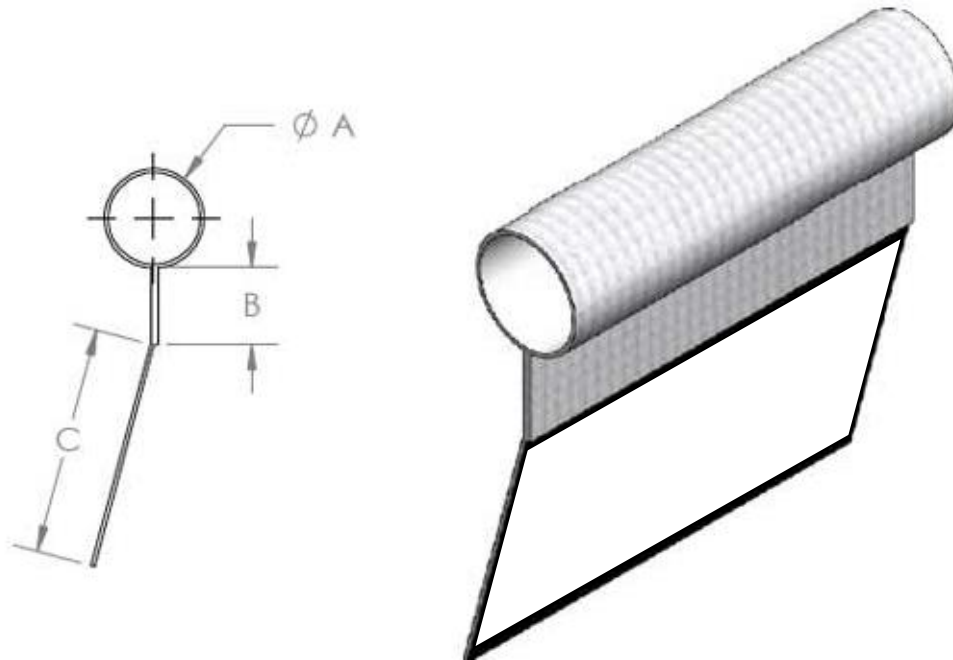




SINGLE FLAP KEDER

White or Black Standard Weave



Part Number	Size	Dimensions (mm)			Fabric Color	Coating Color	Fabric Weave	Cord Color
		A	B	C				
40-S122	4mm (5/32")	4	10	25	White	White	Standard	Clear
50-S122	5mm (3/16")	5	10	25	White	White	Standard	Orange
60-S122	6mm (1/4")	6	10	25	White	White	Standard	Yellow
75-S122	7.5mm (9/32")	7.5	10	20	White	White	Standard	Green
75-S212	7.5mm (9/32")	7.5	10	20	Black	Black	Standard	Green
85-S122	8.5mm (5/16")	8.5	10	20	White	White	Standard	Blue
85-S212	8.5mm (5/16")	8.5	10	20	Black	Black	Standard	Blue
		A = Cord & Fabric Diameter			B = Weld Width		C = Weldable Flap Width	

(888) 727-7050

7265 S. 1st Street Oak Creek, WI 53154

sales@kedersolutions.com - www.kedersolutions.com