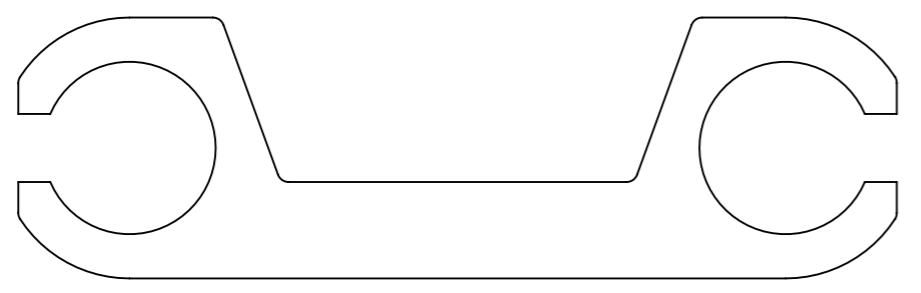
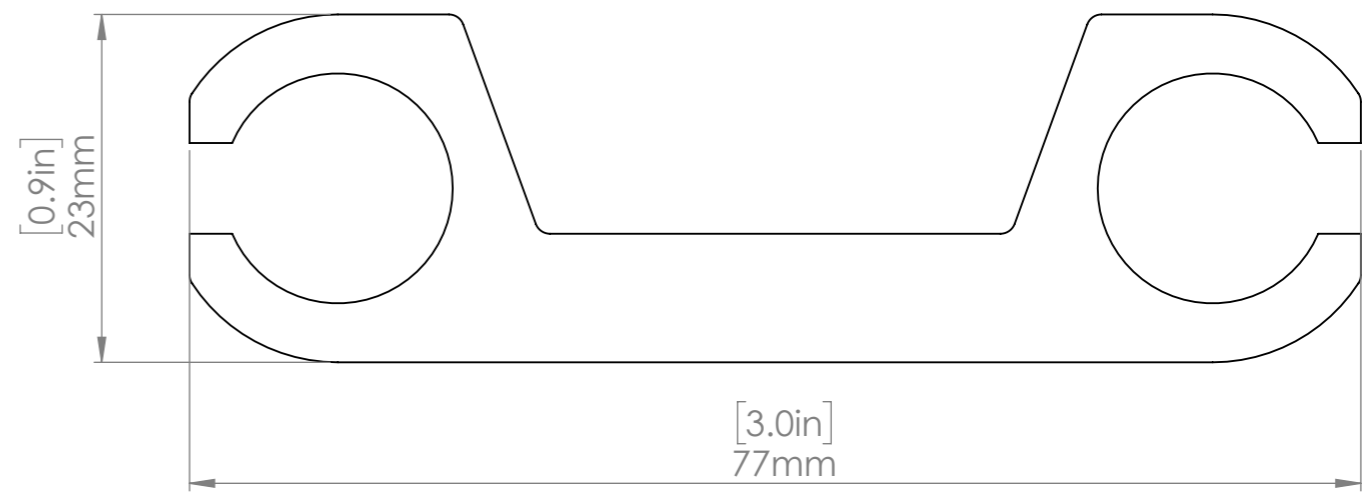
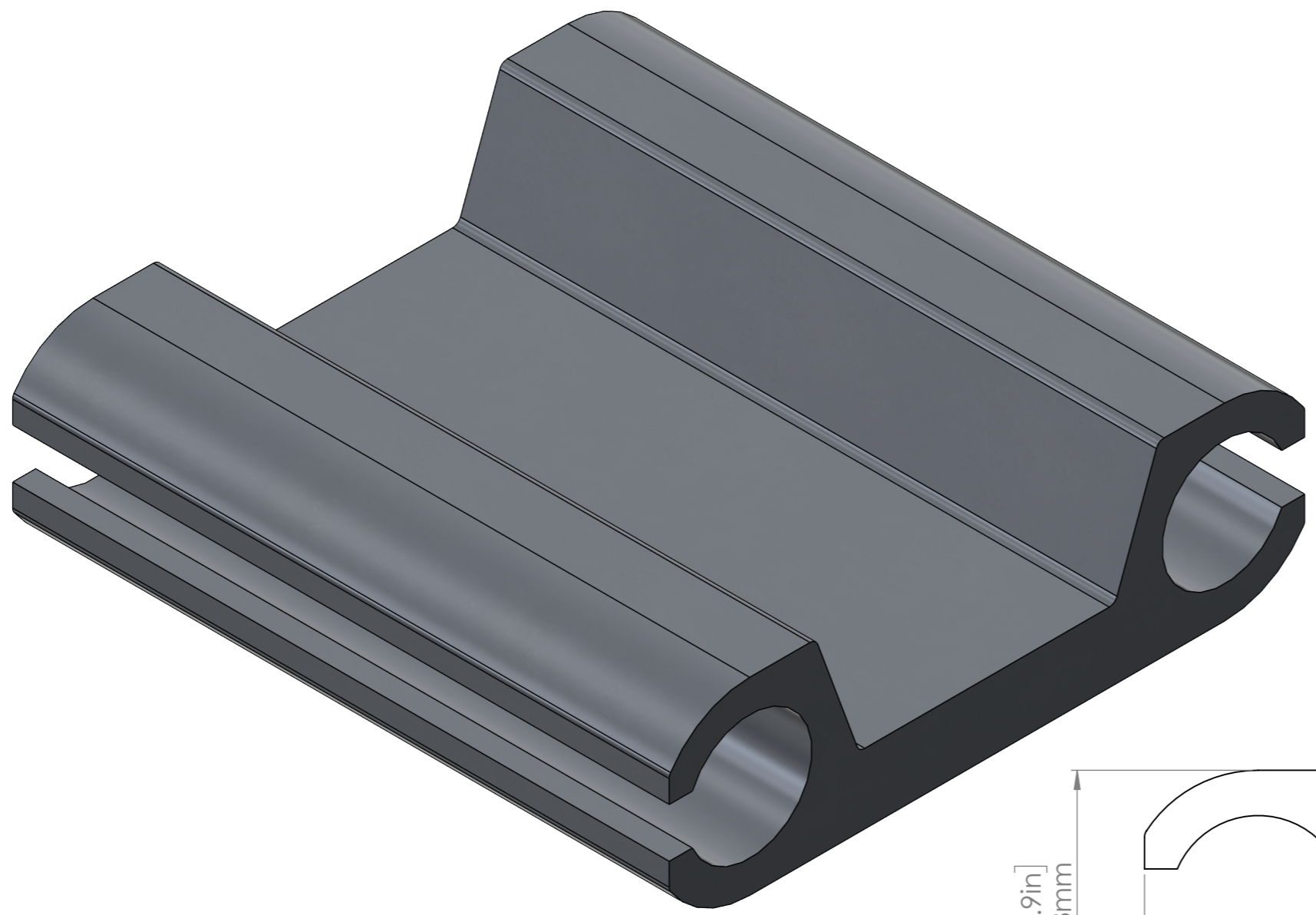


8 7 6 5 4 3 2 1

F
E
D
C
B
A



Fits 10-13mm Keder

UNLESS OTHERWISE SPECIFIED: DIMENSIONS ARE IN MILLIMETERS SURFACE FINISH: Anodized		FINISH:		CONSUMER DRAWING		DO NOT SCALE DRAWING		REVISION	
DRAWN	Delvaux	DATE	6/18/2024	KEDER SOLUTIONS, LLC 7265 S. 1ST STREET OAK CREEK, WI 53154 PH: (888) 727-7050 F: (888) 727-7060		TITLE: 13mm 3.0" Double Rail			
CHK'D	Delvaux	DATE	6/18/2024						
PROPRIETARY AND CONFIDENTIAL THE INFORMATION CONTAINED IN THIS DRAWING IS THE SOLE PROPERTY OF KEDER SOLUTIONS, LLC. ANY REPRODUCTION IN PART OR AS A WHOLE WITHOUT THE WRITTEN PERMISSION OF KEDER SOLUTIONS, LLC IS PROHIBITED.				MATERIAL:		DWG NO.		A3	
				Aluminum		13-KR-30DUB			
				WEIGHT:		SCALE: 2:1		SHEET 1 OF 1	

8 7 6 5 4 3 2 1